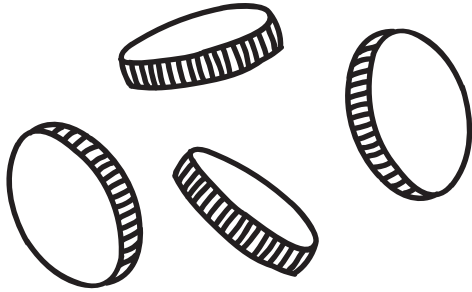
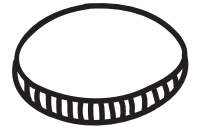


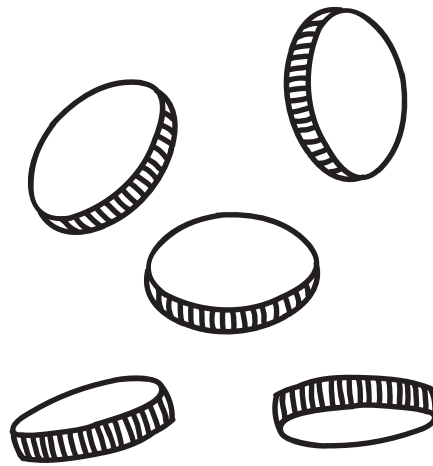
13A

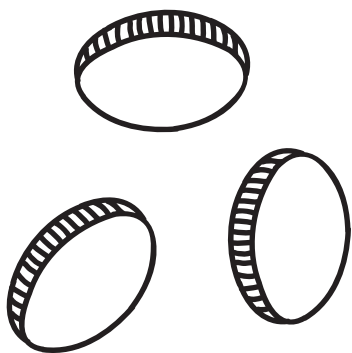
The Widow's Coins – Counting

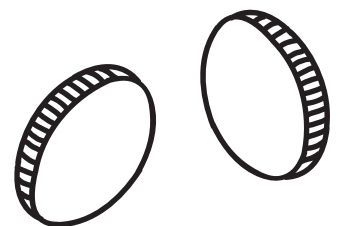
In the Bible story, the woman gave her two coins to God. Can you count the coins below? Circle how many coins the woman gave. Color the coins.







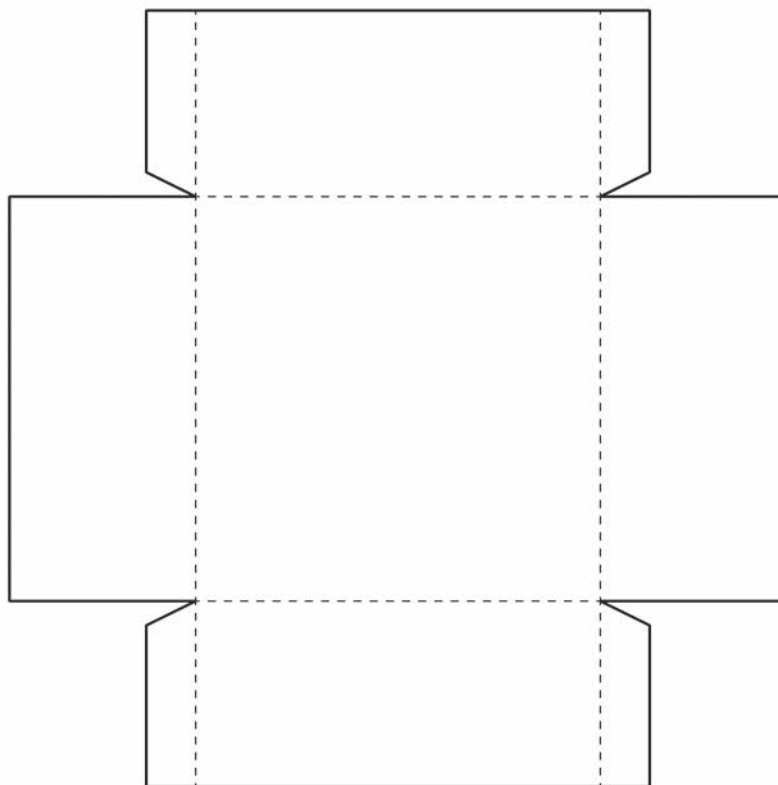
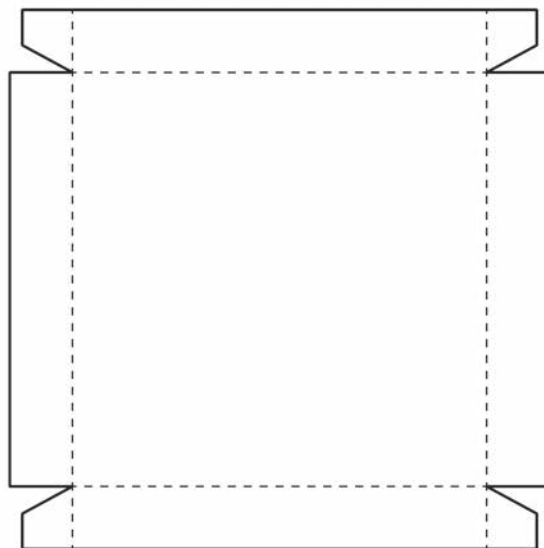




13B

Offering Box – Craft

Decorate your box and cut it out. Use the folded lines to create a special box to collect your offering.



13C

Giving – Journaling

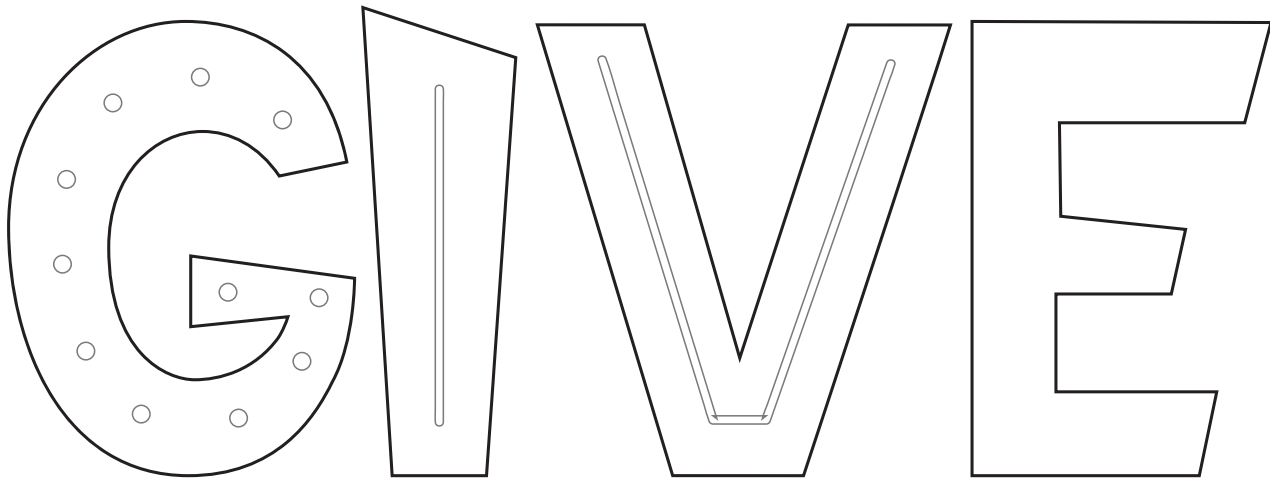
In the Bible story, Jesus pointed out that the widow in the story gave all that she had. What gifts can you give? Write or draw about ways that you can give what you have.



13D

G.I.V.E – Mission Activity

What does it mean to give? Use the word give to remember all the ways you can give to your church, your community, and to the world. Write about how you can start giving today!



GO

Go to God.
Pray to God
about what
you can give.

IDEA

Have an Idea.
Come up with
a way you can
give back.
Maybe it is by
volunteering,
donating, or
using your
voice to stand
up for a good
cause.

VILLAGE

It takes a
Village. It takes
more than one
person to give
to others. Get
others involved.

EARN

Find ways to
Earn money and
then try to give
some of your
money to your
church or a local
organization in
your community.

13E

The Widow and Her Coins – Coloring Page

In the Bible story, the widow gave everything that she had. Color the page to help you remember the story.



Family Collection – At-Home Activity

What gifts can you give as a family? Use these ideas this week to give back. What other ideas do you have? Talk about it as a family.

To Do List

- When you read a book, donate a used book or new book to a book drive. _____
- When you go to the park, pick up trash. _____
- Each time you recycle, put a nickel in a jar. Donate the change to a good cause. _____
- When you go to the store, buy an item for a donation drive. _____
- When you go to church, ask for ways you can help serve in worship. _____
- _____
- _____
- _____
- _____
- _____

13G

The Widow's Coins – Luke 21:1-4

One day at the temple, people were putting money in an offering box.

There was a widow giving all her money away.

A widow is someone who has lost their husband and sometimes they do not have much money. Why was she giving away all her money?

Jesus told the disciples that they are to take care of the widows, but instead the widow was giving to the temple.

She gave all she had to the temple. She gave more than anyone else because she gave everything while others were just giving spare change.

We can learn so much from the widow

Family Spiritual Practice

Read the story of The Widow's Coins together.

Wonder: What do you have that you can give to God?

Do: Think of something you can sacrifice this week as a family, such as eating out or spending money on entertainment. Use the time and money you save from sacrificing something to give back to someone or something, such as your church or a favorite nonprofit organization.

Pray: Dear God, thank you the example of the widow and her coins. Help us give what we have so that others will know about your love. Amen.

