

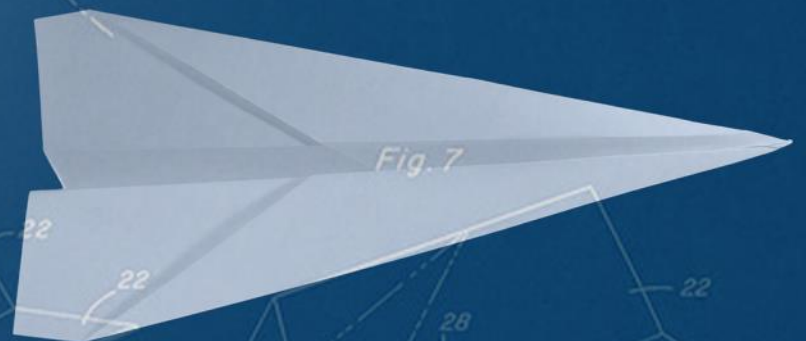
Wellspring

CONTEMPORARY WORSHIP

DREAM

BIG

MATTHEW 16:24-25



October 17, 2021
10:05 & 11:10

SharingTheHeart.org/Wellspring

Follow us on social media



@WellspringFUMC

All of us have ambitions and long to do more in this life. But we also have all kinds of distractions, misunderstandings, and assumptions blurring what we need to do to bring our dreams to life. In order to tap into our deepest passions and unleash the purpose God has for us, we must assess our understanding of who we are and how God sees us. We need to become fully awake to ourselves and to the God-given purpose for our lives. That is what **Dream Big** is all about – exploring your hopes, dreams, ambitions, and the real purpose God has implanted within you.

It is good to be with you in worship! We are a place where everyone is welcome, accepted, and encouraged to discover the fullness of life in Jesus Christ. If you are new, please feel free to ask questions, be yourself, get connected, and let us know if there is anything we can do to make your experience most memorable.

First United Methodist Church
315 N. Church St., McKinney, TX 75069 972-562-8556

Sermon: Land the Plane

Scripture: Matthew 16:24-25

Sermon Notes

Take time this week to read over the Scripture and ask these questions to see how they might shape your life.

1. As we finish up the Dream Big series, which of the sessions/sermons made the greatest impact toward activating your big dreams?
2. In the past, what opportunities to act on your dreams have you missed or allowed to pass by? What will prevent you from missing such opportunities again?
3. Read Matthew 16:24-25. What do you think it means to pick up your cross and follow Jesus?
4. When it comes to following Jesus, what will you do today to ensure you take at least one baby step in faith to act on your ambitions?
5. Think about how good it will feel to take daily steps to follow Jesus and accomplish the big dreams God has for you.
6. Spend time in prayer.

Dream Big – Small Groups

It is not too late to join a group. We have three groups available:

- Sunday mornings – 9:00am in room C200
- Sunday mornings – 10:05am in room C205
- Sunday evenings – 5:00pm in room E215 & Online. Email kmelvin@sharingtheheart.org for Zoom link.



“Like” our Facebook page and be sure to check-in online! For every new “like” and “check-in” we receive, we will provide three meals to hungry kids!

That’s right! Your simple check-in helps spread the word about Wellspring and feeds kids. This is a simple click of the button that can have a big impact. Scan the QR code with your smart phone camera to be taken to our Facebook page.

Wellspring Pastor
Rev. Dr. Abe Smith
asmith@sharingtheheart.org

Worship Leader
Rev. Kris Melvin
kmelvin@sharringtheheart.org

WHAT'S HAPPENING

SHIRTS AND BANDANAS

You can now purchase a bandana for your pet that matches the new church shirts! We are restocked in shirts, and you can purchase them at the coffee bar on Sunday or at the front desk during the week. Adults \$15, Kids \$10, Pets \$5.

BLOOD DRIVE

October 24th from 8am—12:30pm
Church Street Auditorium
Blood supply is critically low. More information and pre-registration on the *New + Upcoming* page. Walk-ins welcome!

TRUNK OR TREAT

Join us for the First Annual Trunk or Treat from 5-7pm on October 24th. This is a church-wide and community-wide event! Sign up to decorate your trunk and pass out candy! Donate bags of candy to the cause! Share this event with friends, family, neighbors, and on social media! This is sure to be a spooky fun event. There will be costumes and prizes, so start planning your theme! Sign up your trunk on our *New + Upcoming* page on the website.

HEALTH & SAFETY

We are still encouraging people to wear masks, maintain distance, and get vaccinated if possible. Online worship and classes are available if you feel ill and need to stay home.

TRANSFORMATIVE RETREAT

Join Pastor James and Pastor Andrew with Christlike Mindfulness on October 23rd from 9-1. This retreat is focused on ways of praying. You can find details on the *New + Upcoming* page of the website.

ANGEL TREE CARDS

Preparations are under way for the Caldwell Christmas Tree! We need new or used Christmas cards to make the angel tags. 4x6 or larger, please. You can drop them at the church office.

ONLINE RESOURCES

- Attendance
- Giving
- Prayer Request
- Newsletter
- Join the church



Scan with your phone camera ↴

NEW WIFI Network: FUMC Guest

Password: sharingtheheart

GENEROSITY

DID YOU KNOW?

We filled 12 flood buckets (\$75 each), collected \$1,530 for the UMCOR Sager-Brown Depot, and \$5,490 for UMCOR storm relief. Thank you for your generosity!

CONVENIENT WAYS TO GIVE



Online Giving
Text **FIRSTUMC to 73256**
Offering Boxes at Exits
Automatic Payments
Automatic Withdrawals

SharingTheHeart.org/Give

Please Sign In
We're glad you are here!

W101721

ATTENDANCE CARD Please complete, tear off, and place in the box at the exit. Thank you!

Service attended: 8:00 9:00 10:05 11:10 | Location: Sanctuary Wellspring First Time Guest Returning Guest Member

Today's Date _____
Name _____
Email _____
Phone _____
 cell home

Children Attending (names & ages) _____
Address _____
City/St _____ Zip _____
 Update my info Send weekly email newsletter | Preferred Contact: Email Phone | Adult age group: 18-24 25-34 35-44 45-54 55-64 65+
Welcome to our guests! How did you hear about us? _____ Guest/Relative of _____ Relationship _____ (over)

Your Name _____ Today's Date _____

Prayers requested for (name) _____

This person is: self friend relative other _____

Prayer need (include info as needed) _____

Pastors only | Add to published prayer list | Would you like a pastor to contact you? Yes No

I would like information about: Name _____

Nursery Children's Ministry Youth Ministry Adult groups Music Ministry Melissa UMC campus Other _____

Becoming a member Generosity / Stewardship Faith, being a Christian Bible Study Help with personal issues Finding a place to serve _____ (over)

PRAYER REQUESTS

PRAYER REQUESTS Please remember these names in your prayers

- Amy Via
- Braxton Pinero
- Dana Brown
- Delilah Sanderson
- Don Childs
- Dorothy Whitfield
- Ed Mapes
- Fred Wilkins
- Garrel Dean
- Gary and Peggy Rima
- Jack and Gera Crampton
- Jackie Zarate
- Jackie Lynn
- Jay Harris
- Jennifer Niuman-Sawey
- Jenny
- Joe Colburn
- Juanita
- Judy Cox
- Justin Melvin
- Mark Tettleton
- Marti Kale
- Rick Splawn
- Sonny Hackett
- Tina Cristino
- Thomas R. Storey
- Rev. David & Cindy Ceballos, Missionaries in Panama
- Friends in care facilities
- Everyone affected by the Coronavirus and Variants
- Families experiencing job loss
- Church families in transition
- Those experiencing homelessness
- Grace Children's Hospital in Haiti
- Melissa United Methodist Church
- Caldwell Elementary School
- Military service members including: Capt Scott Adler, Capt Libby Adler, Sofia Lerma Alarcon, Jose Almaguer, 1st Lt Joe Beeby, Marc Belo, CPL Matthew Broker, CT12 Abigail Burns, CPT Aaron Bush, CPL Bradley Bush, AFC Drew Causey, Rev. Dr. Capt Adam Cavalier, 2nd Lt Vincent Chavez, Capt Ryan Clark, PFC Paul Confalone, Sgt Martin Damian DeLeon, GY Sgt Jim Ellsworth, Kevin English, Patrick English, James Evans, Lt Col David Faulk, MSG Brian Franck, PFC Cody Furstenberg, Charlie Gilbert, LC CPL Robert Gray, ETN2 Cory Halberstadt, Pvt John Wesley Holder Jr., LT Mark Jbeily, Lt Col Jim Johnston, Ryan Kidd, Avery Montana Krast, Lt Ryan Lubin, Alec Mack, Capt John Martin, Lt Logan McQuerry, Maj. Richard Milam, Maj Chuck Miller, AFC Kevin G. Persons, Jr., MSGT, SFC Tyler Renshaw, 2nd Lt Austin Rine, SPC Blake Robertson, Bobby Sanders, SR4 Nick Schofield, Colby Seamster II, Chap MAJ Tim Shepherd, Jonathan Spiegel, CW2 Ryan Thurgood, Mark Townson, Specialist Zach Vernier

Please submit updates and new prayer requests to www.sharingtheheart.org/pray
Thank you.

STAY CONNECTED

For the latest news and events, subscribe to the weekly church newsletter, "The Echo," online at SharingTheHeart.org/Newsletter

SOCIAL MEDIA

Engage with us on social media for up to date information and deeper connections.



Facebook.com/FUMCMcKinney
Instagram.com/FUMCMcKinney
Twitter.com/FUMCMcKinney



CONTACT INFORMATION

- Senior Pastor**, Dr. Thomas O. Brumett
tbrumett@sharingtheheart.org
- Wellspring**, Dr. Abe Smith
asmith@Sharingtheheart.org
- Children's Director**, Cheridy Dodd
cdodd@sharingtheheart.org
- Youth Director**, CJ Rice
cjrice@sharingtheheart.org
- Preschool Director**, Jane Mills
jmills@sharingtheheart.org
- Connections**, Rev. Patty Froehlich
pfroehlich@sharingtheheart.org
- Pastoral Care**, Dr. Ed Volfe
edvolfe@sharingtheheart.org
- Missions**, Rev. Janet Cavalier
jcavalier@sharingtheheart.org
- Wellspring Worship Leader**, Rev. Kris Melvin, kmelvin@sharingtheheart.org
- Spiritual Formation**, Dr. James Woods
jwoods@sharingtheheart.org
- Christlike Mindfulness**, Dr. Andrew Clifford
aclifford@sharingtheheart.org
- Director of Music & Organist**
John Emory Bush, jebconductor@gmail.com
- Melissa Church**, Rev. Stacey Piyakhun
stacey@melissaumc.com